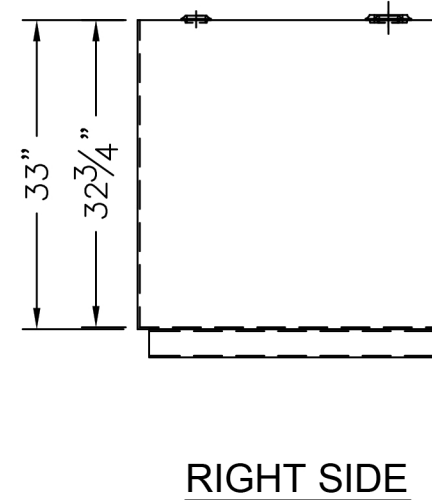
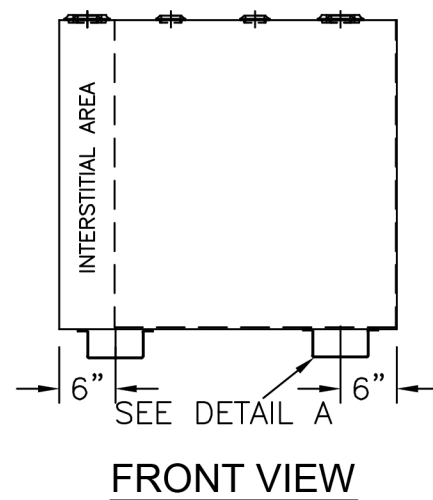
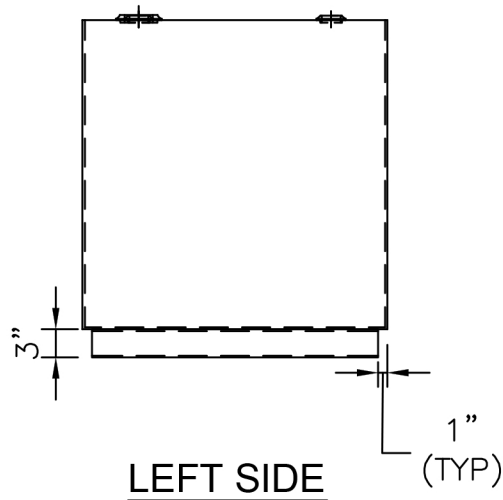
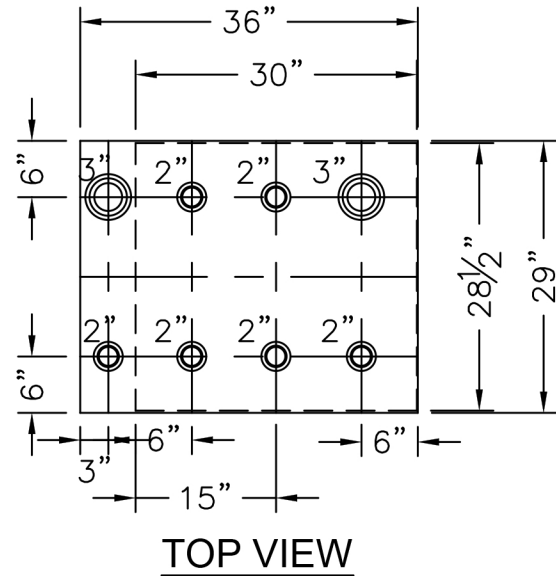
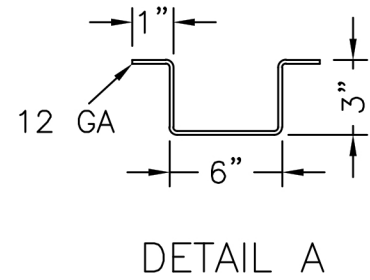


| NOZZLE SCHEDULE | | | | | | | |
|-----------------|------|--------|------|------|---------|----------|------------------------|
| ITEM | SIZE | RATING | TYPE | MATL | PROJ IN | PROJ OUT | REMARKS |
| A | 3" | N.P.T. | W.F. | C.S. | STD. | STD. | EMERGENCY VENT OPENING |
| B | 2" | N.P.T. | W.F. | C.S. | STD. | STD. | |



NOTES:

- A. Quantity:
- B. Material: H.R. Carbon Steel
- C. Inner/outer tanks: 12 GA. w/ 10 GA. Common Top
- D. Design & Operating Pressure: Atmospheric.
- E. Design & Operating Temperature: Ambient.
- F. Tank to be Built & Labeled per U.L. Spec. #142.
- G. Tank to Bear Manufacturers & U.L. Labels Only.
- H. Tank to be Air Tested with Water & Soap Suds Solution.
- I. Interior: Remove Weld Slag (Ship Clean & Dry).
- J. Exterior: Gray primer included; see Sales Order for top coat.
- K. All Fittings to be Protected for Shipment.
- L. Customer has the Responsibility to Verify All Dimensions.

*All pages of this Schedule A are incorporated by reference and are a part of the additional terms of the Master Terms & Conditions of Sale.

APPROVAL FOR CONSTRUCTION
SCHEDULE A - MASTER TERMS & CONDITIONS OF SALE*

- APPROVED AS DRAWN.
 - APPROVED WITH NOTED CHANGES, CONSTRUCTION WILL BE SCHEDULED WHEN SIGNED DRAWING AND CONFIRMED ORDER ARE RECEIVED.
- SIGNATURE _____
- DATE: _____

SALES ORDER #



VESSEL DESCRIPTION:
120 GALLON RECTANGULAR UL 142 DOUBLE WALL TANK

| | | | |
|-----------|--------|----------------------|------------------------------|
| CUSTOMER: | | | P.O.# |
| DATE: | SCALE: | DWG.# NEFTDBS0120 | DRAWN BY: TC CHKD. BY: TB |